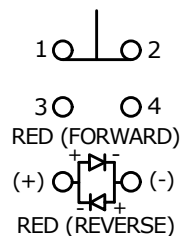


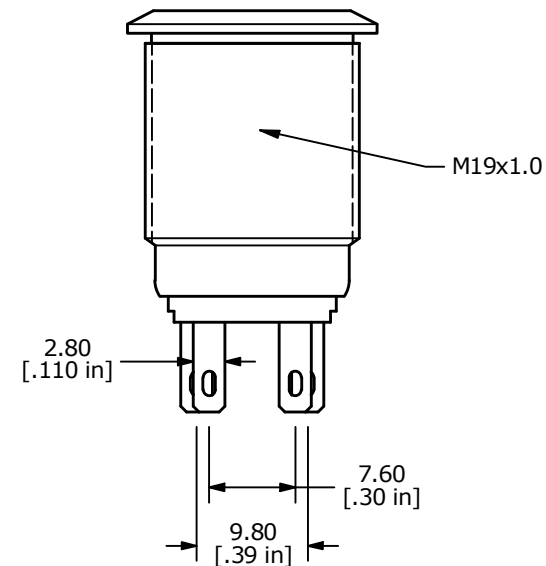
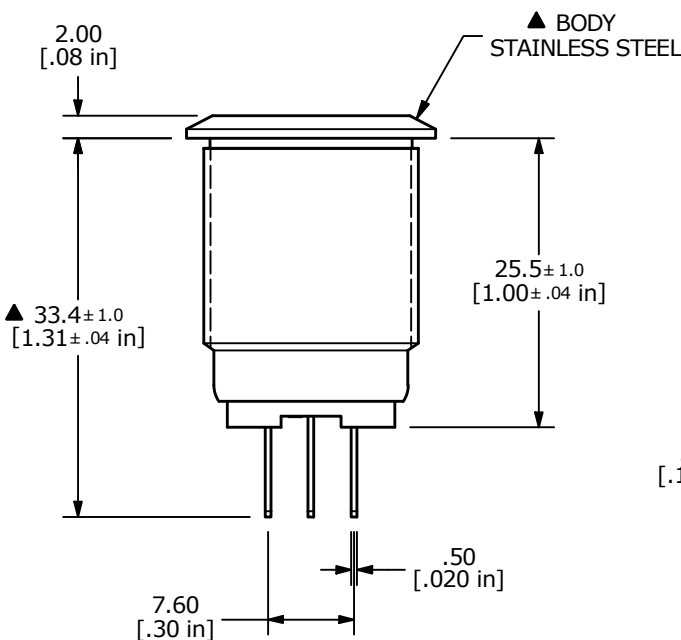
▲ **SWITCH FUNCTION**

POS. 1	POS. 2
1-2 ON 3-4 OFF	1-2 (OFF) 3-4 (ON)

() = MOMENTARY

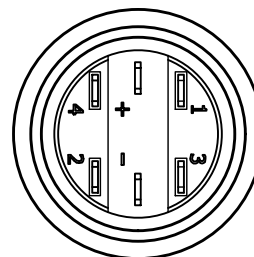


▲ **CONTACT CONFIGURATION**
 SPDT ON-(OFF) / OFF-(ON)



NOTE:

- ALL DIMENSIONS IN MM [INCH]
- GENERAL TOLERANCE: X.X = ± 0.4
X.XX = ± 0.25
- TERMINAL NUMBERS FOR REF ONLY
- CONTACT MATERIAL: SILVER
- RATING: 2A 24VDC
- ELECTRIC LIFE: 50,000 MAKE-AND-BREAK CYCLES AT FULL LOAD.
- INSULATION RESISTANCE: 1,000 M Ω MIN.
- DIELECTRIC STRENGTH: 2,000 VAC MIN. FOR 1 MINUTE
- CONTACT RESISTANCE: 50m Ω MAX. @ 1A 12VDC
- OPERATING TEMP.: -20°C to 55°C
- TRAVEL: 2.8mm
- ▲ DENOTES CRITICAL PARAMETER.
- ▲ LAMP VOLTAGE: 12V
- INGRESS PROTECTION: IP65
- HARDWARE SUPPLIED: O-RING AND HEXNUT
- ILLUMINATION COLOR: RED



C	24394	update housing and terminals	7/13/20	MW
B	21930	REDRAWN IN NEW FORMAT	7/29/15	MW
REV	PCR NO	DESCRIPTION	DATE	BY

TITLE PV4F2Y0SS-314				
SCALE 3:2	DATE 7/29/2015	DR MW	DWG 52-PV4F2Y0SS314	REV C